

OWNER'S MANUAL

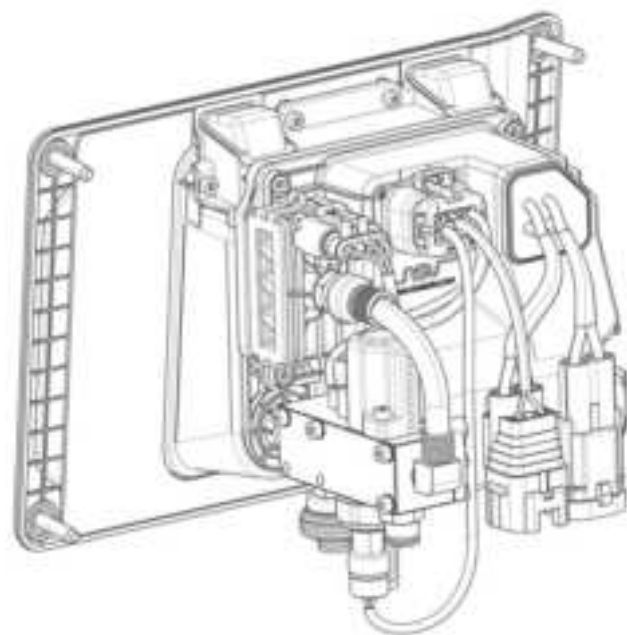
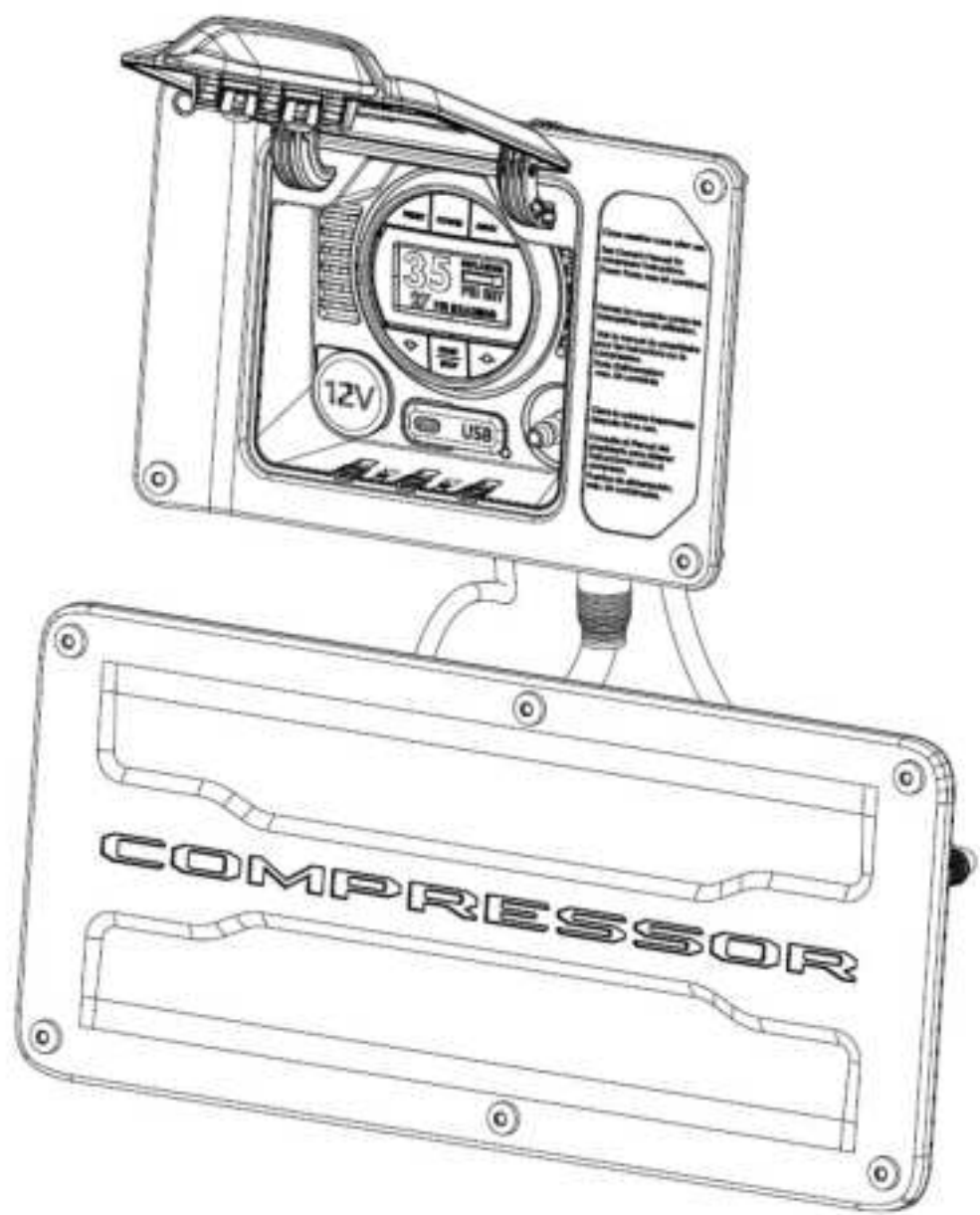
TACOMA



Toyota Genuine Accessory

INTEGRATED AIR COMPRESSOR





Specifications	1
Cautions	2
Recommended Pressures	3
Operation	4-8
Warranty	9
Error Messages	10
Troubleshooting	11
Tools	12
Quick Start Guide	13-15

Operation Voltage	12V
No Load Current Draw	6A
Under Load Current Draw	30A
Fuse	50A
► Air Flow	
No load	62L/min (2.19CFM) @ 0PSI
Load	45L/min (1.60 CFM) @ 40PSI
► Average Inflation Times	
	15 to 35 PSI
	2.5 Minutes
	(Times may vary depending on battery voltage, filter condition, and age of compressor)
► Auxiliary Rating	
Auxiliary Power Port Voltage	DC 12V
USB-C Port	5V@3.6A, 9V@3A, 12V@2.25A; 27W
Maximum Combined Current	6A

► Inflation

Always monitor inflation of tire and never leave unattended. Over-inflation of a tire can be extremely dangerous. Refer to the recommended cold tire inflation pressure located on sticker inside the driver's door.

► Keep Engine Running

To prevent draining the battery, inflation and deflation is only allowed by the compressor system when the engine is running.

► Keep Parking brake engaged

Inflation and deflation is only allowed by the system when the parking brake is engaged.

Pressure Reading While Running

► During inflation/deflation the system regularly stops to determine the accurate pressure and to calculate the remaining inflation/deflation time.

Do not forget to Re-inflate tires

► If tires are deflated for off road use, make certain to drive and corner at slower speeds appropriate to your tire pressure. Re-inflate tires to proper pressure before resuming driving on roads again. Road tire pressures (cold) are indicated on the sticker inside the driver's door.

- Keep hose away from hot surfaces, such as the exhaust.
- Do not pull hose too tight as it can pinch at the outlet and restrict airflow.
- Do not cover the inlet vent as it may restrict airflow compressor cooling and ability to operate.
- Do not operate the compressor while the fuse and/or filter access door is removed.

Weather Cover

Be sure to close the weather cover when not in use or driving through wet conditions such as car washes to avoid short and/or damage to equipment.

Port Rubber Caps

Be sure to use the rubber caps to seal off 12V socket, USB-C and serviceable fuse ports when not in use to prevent debris and water intrusion.

*Please refer to label inside driver's door for correct pressures information.

► **Sand Driving**



Caution

Lower tire pressures increase the likelihood of the tire separating from the wheel and require them to be reseated. Be careful while driving not to make sharp turns and have wheel straight when approaching a mount or dune.

Never drive at high speed at reduced pressure even on sand.

► **Rock Crawling**



Caution

Lower tire pressures increase the likelihood of the tire separating from the wheel and require them to be reseated.

Driving at low speeds with controlled throttle and steering inputs helps avert the risk of the tires unseating while rock climbing.

Lower tire pressures increase contact surface area resulting in improved traction and stability needed to traverse terrains.

► **Muddy Driving**



Caution

Lower tire pressures increase the likelihood of the tire separating from the wheel and require them to be reseated.

Be mindful when entering untracked areas as the thick mud will clog tire treads and reduce traction/flotation needed to maintain momentum.

► **Snow Driving**



Caution

Lower tire pressures increase contact surface area resulting in improved traction and stability needed to traverse terrains.

Alternatively, avoid exceeding the recommended cold tire pressures.

Note: These are general recommended settings. Please consult with local experts on the area in which vehicle is being driven for best pressure settings.

► **Road Driving**

See recommended cold tire pressure and tire sizes located inside driver's door.

► **Running Time**

The compressor has a limited time of continuous operation before it will automatically stop and cool down. This time will vary depending on pressure of tires and air temperature. An estimate is between 30-45 minutes of continuous, back-to-back, operations. Under most conditions the compressor should be able to inflate 4 tires from 15-35 PSI with the capability to do a second vehicle. It is not recommended to inflate more than 8 tires at a time.

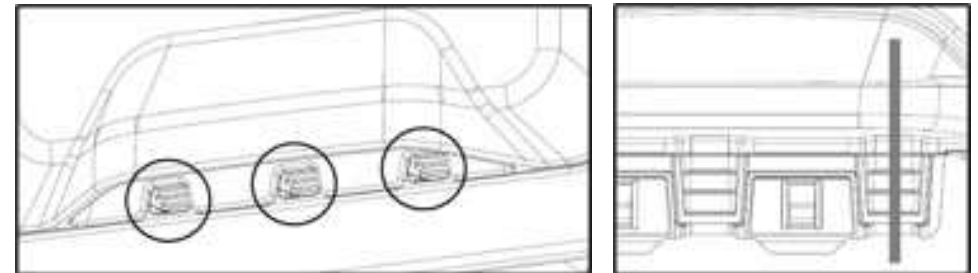
► **Max Temperature Auto Cut-off**

The compressor has a built-in automatic cut-off to prevent overheating. Unit temperature must return to a specific threshold before operation can be resumed. This downtime will vary depending on the ambient air temperature. In case of overheating, the system displays an "Overtemperature protection" message

► **Cooling**

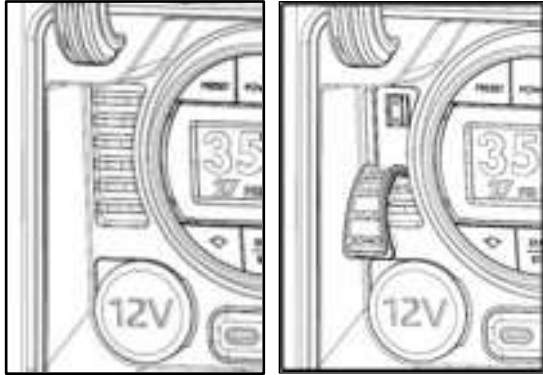
The compressor uses suction airflow for cooling. Operation in extremely hot temperatures will cause extra heat build-up and trigger the heat protection circuit enabling the Temperature Cut-off feature. Moving to a cooler environment and/or waiting for the temperature to reside will allow the unit to restart.

► **Door wire pass through seal**



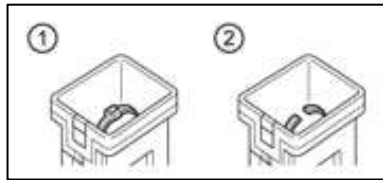
The Door and compartment have wire seal notch to allow the 12V and USB Type-C cables to be connected even when the door is close.

► Power Port Serviceable Fuse



The fuse is on the panel next to the gauge.
 To access the fuse, remove the rubber cover.
 Check fuse. If fuse is blown, then investigate the cause and replace fuse. (7.5A mini blade fuse)
 If problem persists, contact your local dealer.

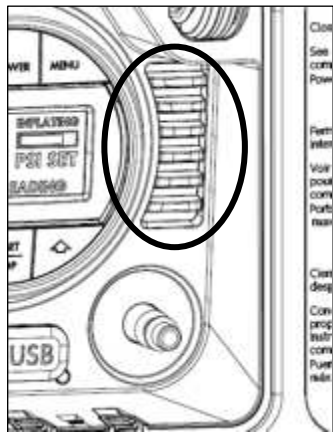
► Engine Bay Fuse



1 Normal Fuse 2 Blown Fuse

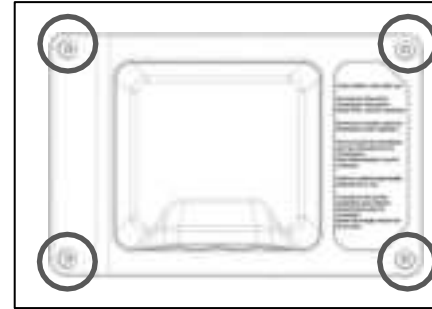
- Open fuse box located in the engine compartment and locate the 50A Tire Inflator fuse.
- Check if the fuse is blown.
- If fuse is blown, replace fuse with appropriate size indicated by fuse cover label.
- If problem persists, contact your local dealer.

► Inlet Vent

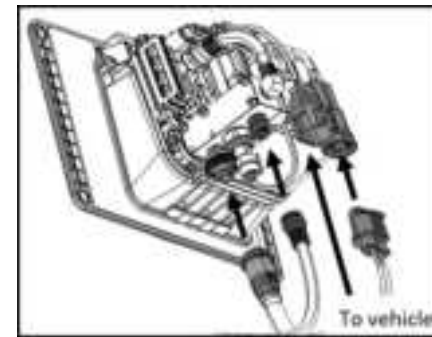


- Compressor Air Filter is place behind the inlet vent.
- Make sure the inlet vent is not obstructed while operating the compressor.

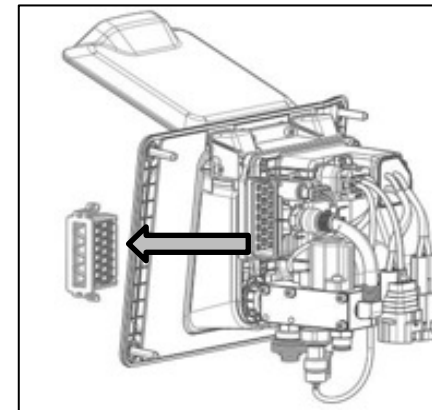
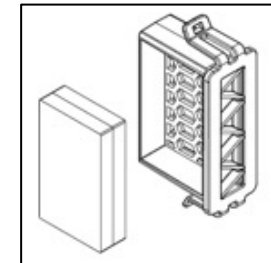
► Replacing Filter



- Disconnect the vehicle battery.
- Locate the security bolt key provided in the vehicle and the Torx screwdriver located in the accessory tool bag.
- Remove all four (4) screws securing the Control Panel using the tools from step 2.

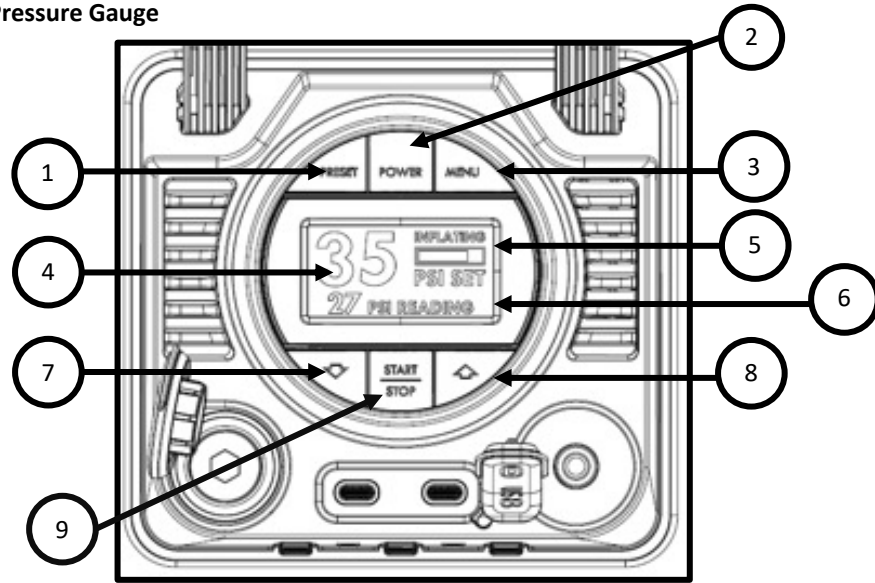


- Carefully pull the Control Panel out and disconnect all electrical and air connections.
- Place the Control Panel on a flat surface clear of any debris.
- Locate and remove the air filter core.



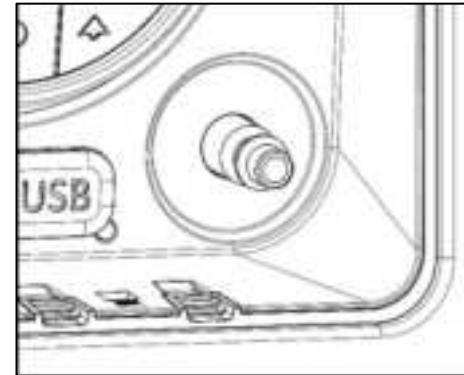
- Replace the air filter in the direction shown.
- Install the air filter core and re-install the Control Panel in reverse order.
- Torque the bolts to 8.5 N-m±1.7N-m

► Digital Pressure Gauge

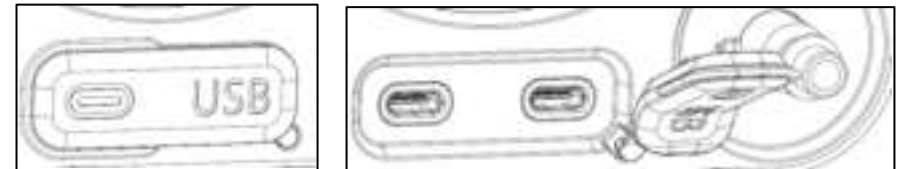


Number	Function
1	Short press to toggle between stored pressure presets. Long press to toggle backwards between stored pressure presets.
2	Short press to turn ON. Long press to turn OFF.
3	Press to access system menu or to return to the main menu from sub menus or to the main screen with pressure setting.
4	Target pressure value Solid - Confirmed value Blinking - Reading/adjusting value
5	Displays status or mode - Inflate, deflate, measure, pause Displays status of inflation, deflation or measurement Displays currently selected unit of measurement
6	Displays last measured value during inflation or deflation
7	Decrease value / menu down button
8	Increase value / menu up button
9	Start/Stop – Automatic or manual inflation and deflation. Enter - Press to confirm menu selections

► Nozzle

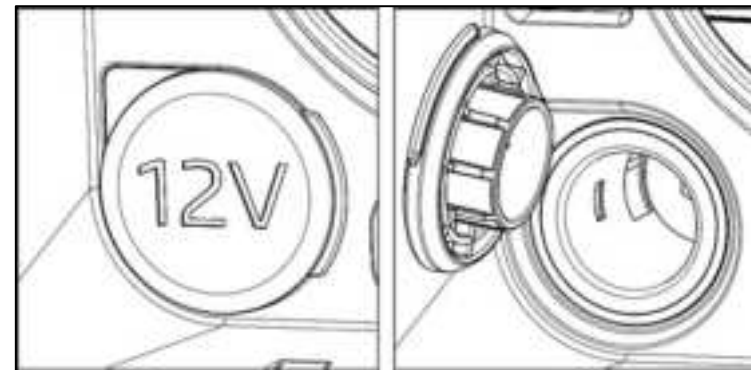


► USB Type-C Charger



- Open the rubber cover to connect charging cables to the ports.

► 12V Power Socket



- Open the rubber cover to connect a 12V plug.

► Warranty Period Compressor

The compressor motor and body is covered for same period as the vehicle warranty.

► Warranty Period for Hose

The hose, tools and filter are considered serviceable parts and are only covered under warranty for manufacturing faults. They will need to be replaced from time to time at the cost of the vehicle owner like other consumables such as tires, filters and batteries. Proper use of the hose and tools will prolong lifetime and ensure trouble-free operation.

► Limited for Personal Use

The compressor is not designed for commercial purposes like running power tools or spray equipment and should only be used for leisure purposes.

► FCC Requirement:**Note:**

This equipment has been tested and found to comply with the limits for a Class B digital device, pursuant to part 15 of the FCC Rules. These limits are designed to provide reasonable protection against harmful interference in a residential installation. This equipment generates, uses and can radiate radio frequency energy and, if not installed and used in accordance with the instructions, may cause harmful interference to radio communications. However, there is no guarantee that interference will not occur in a particular installation. If this equipment does cause harmful interference to radio or television reception, which can be determined by turning the equipment off and on, the user is encouraged to try to correct the interference by one or more of the following measures:

- Reorient or relocate the receiving antenna.
- Increase the separation between the equipment and receiver.
- Connect the equipment into an outlet on a circuit different from that to which the receiver is connected.
- Consult the dealer or an experienced radio/TV technician for help.

Warning:

This device complies with part 15 of the FCC Rules. Operation is subject to the following two conditions: (1) This device may not cause harmful interference, and (2) this device must accept any interference received, including interference that may cause undesired operation. This equipment complies with FCC radiation exposure limits set forth for uncontrolled environment. This equipment should be installed and operated with minimum distance of 20 cm between the radiator and your body. This transmitter must not be co-located or operating in conjunction with any other antenna or transmitter.

Caution:

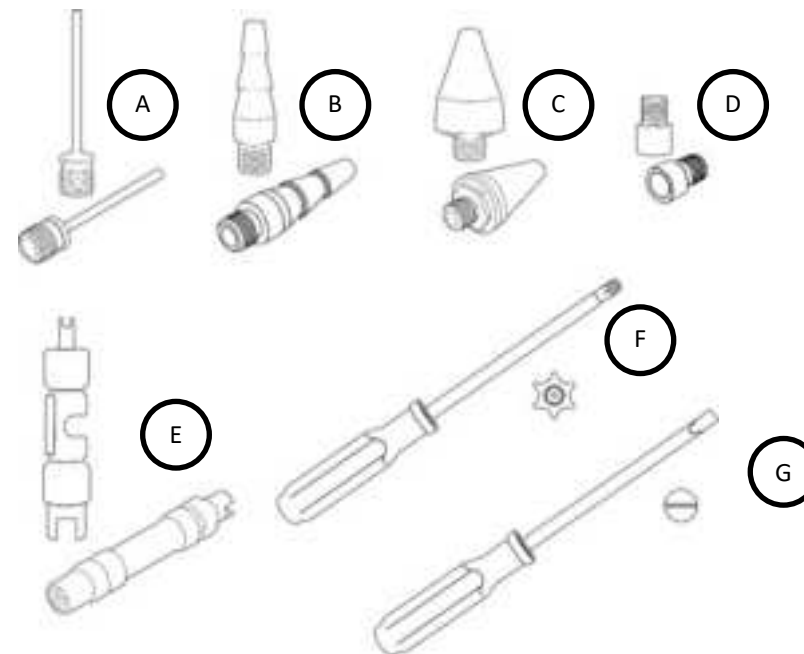
Changes or modifications not expressly approved by the party responsible for compliance could void the user's authority to operate the equipment.

Errors	Message
E1: Overpressure	The system detects pressures higher than 150psi, automatic deflation starts which can be stopped by cancelling the error message. If the pressure is still higher than 150psi, automatic deflation will start again until it is stopped at a pressure that is lower than 150psi
E2: No pressure sensor connected	The system cannot detect signal from the pressure sensor
E4: Irregular pressure measurement	Blocked airlines or air leak detected
E5: High voltage	Voltage is over 16V, power supply might be faulty
E6: Low voltage	Voltage is below 9V, power supply might be faulty
E7: Warning – No back pressure	In automatic inflation/deflation the system cannot detect back pressure, most probably the air hose is not connected to the tire/accessory or to the compressor air outlet
E8: Overtemperature protection	Compressor overheated or disconnected

Warnings	Message
Engine is off or vehicle battery is low	Displayed when inflation/deflation is started without the engine running or voltage level is too low from vehicle.
Parking brake must be engaged for inflation/deflation	Displayed when inflation/deflation is started without the parking brake engaged

Issue	Solution
1. After operation for 30+ minutes the compressor stops.	<p>Max temperature auto cut-off: compressor has an automatic heat shut-off when exceeding maximum operating temperatures. If it does not restart after 20-40minutes then check:</p> <ul style="list-style-type: none"> • Fuse (See page 6). • Vehicle battery (refer to vehicle owner’s manual)
2. Compressor air flow is lower than normal and/or Temperature cut-off happens sooner than normal.	<ul style="list-style-type: none"> • Check air inlet vents to compressor are not covered or blocked. • Clean filters. • Check if air hose is not crimped or pinched. (Excessive pulling in addition to high temperatures may collapse the hose.)
3. Burning smell of plastic after or while in operation.	<ul style="list-style-type: none"> • Check that the hose has not been pulled over exhaust or other hot surfaces. • Stop operation and see dealer.
4. After 20+ minutes of use, compressor will not resume operation after shut down.	<ul style="list-style-type: none"> • Compressor uses suction air for cooling, certain conditions, such as turning off the motor may reduce the cooling effect and trigger the max temperature auto cut-off. • Allow approximately 25-40 minutes for unit to cool down.
5. Compressor is running slower than normal.	<ul style="list-style-type: none"> • Check vehicle battery voltage and ensure engine is on. A low battery will cause compressor to run slower. If airflow is reduced see item 2.

► Tools

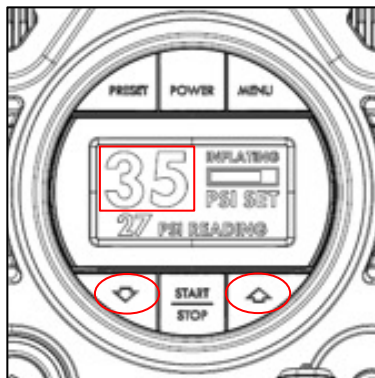


ITEM	FUNCTION
A	Needle Valve
B	Oral Inflation Valve Adaptor
C	Boston Valve Adaptor
D	Presta Adapter
E	Tire Valve Core Removal Tool (Schrader and Presta)
F	Torx Screw Driver, T-30 175mm Total Length
G	Flat Screw Driver 3.5mm Width X 175mm Total Length

I. Auto-Inflation / Auto-Deflation

-this feature is the quickest and most convenient method to inflate/deflate tires to desired pressure and is the default mode when unit is started.

1. Ensure engine is ON and Parking Brake is engaged.
2. Press the "POWER" button to turn on the inflator.
3. Use the "UP" and "DOWN" arrow keys to set the target pressure.
NOTE: Unit will default to 60psi if last usage is higher than 60psi.
4. Use the hose located in the right-hand deck toolbox under the 120V AC plug in the back of the bed.
5. Attach the quick disconnect hose to the Air Compressor air nozzle.
6. Attach the Schrader end to the desired tire to be inflated/deflated.

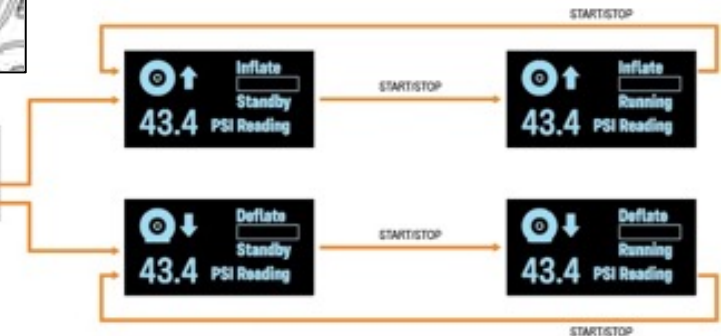


7. The inflation/deflation automatically starts after 5 seconds (it can be started manually as well by pressing the "START/STOP" button). During inflation/deflation the system stops, as needed, to calculate the remaining inflation/deflation time to achieve the target static pressure.
8. Once complete, the compressor will stop running and "Finished" will flash on the screen.
9. By moving the hose to the next tire, the inflation/deflation starts automatically without any interaction with the gauge.

II. Manual inflation/Deflation Mode

-this mode is intended for continuous use of the inflation or deflation without a target PSI value.

1. Ensure engine is ON and Parking Brake is engaged.
2. Press the "POWER" button to turn on the inflator.
3. Press the "MENU" to enter the Integrated Air Compressor sub menu.
4. Use the "UP" / "DOWN" keys to scroll to the "Manual Inflate" or "Manual Deflate" and press "START/STOP" button to select.
5. Use the hose located in the right-hand deck toolbox under the 120V AC plug in the back of the bed.
6. Attach the quick disconnect hose to the Air Compressor air nozzle
7. Attach the Schrader end to the target tire to be inflated/deflated.



8. Press "START/STOP" button once again to start the manual inflation or deflation.
9. Press the "START/STOP" button once again to pause or turn off the manual inflation/deflation.

III. Setting Presets

-this will allow users to program air pressure targets and access them from the main menu during auto inflation/deflation.



1. Ensure engine is ON and Parking Brake is engaged.
2. Press the "POWER" button to turn on the inflator kit.
3. Press the "MENU" to enter the Integrated Air Compressor sub menu.
4. Use the "UP" / "DOWN" keys to scroll to the "PRESET".
5. Select the desired PRESET to modify and press "START/STOP" to enter edit mode.
6. Use the "UP/DOWN" keys to change the value and select "START/STOP" to confirm value.
7. Pressing the "MENU" button will allow the user to return the main screen.
8. Use the "PRESET" button located on the top left to toggle through and select desired PRESET value. Short press jumps to the next preset. Long press jumps to the previous preset.
9. Use auto-inflation/deflation instructions to use the compressor at selected preset.

